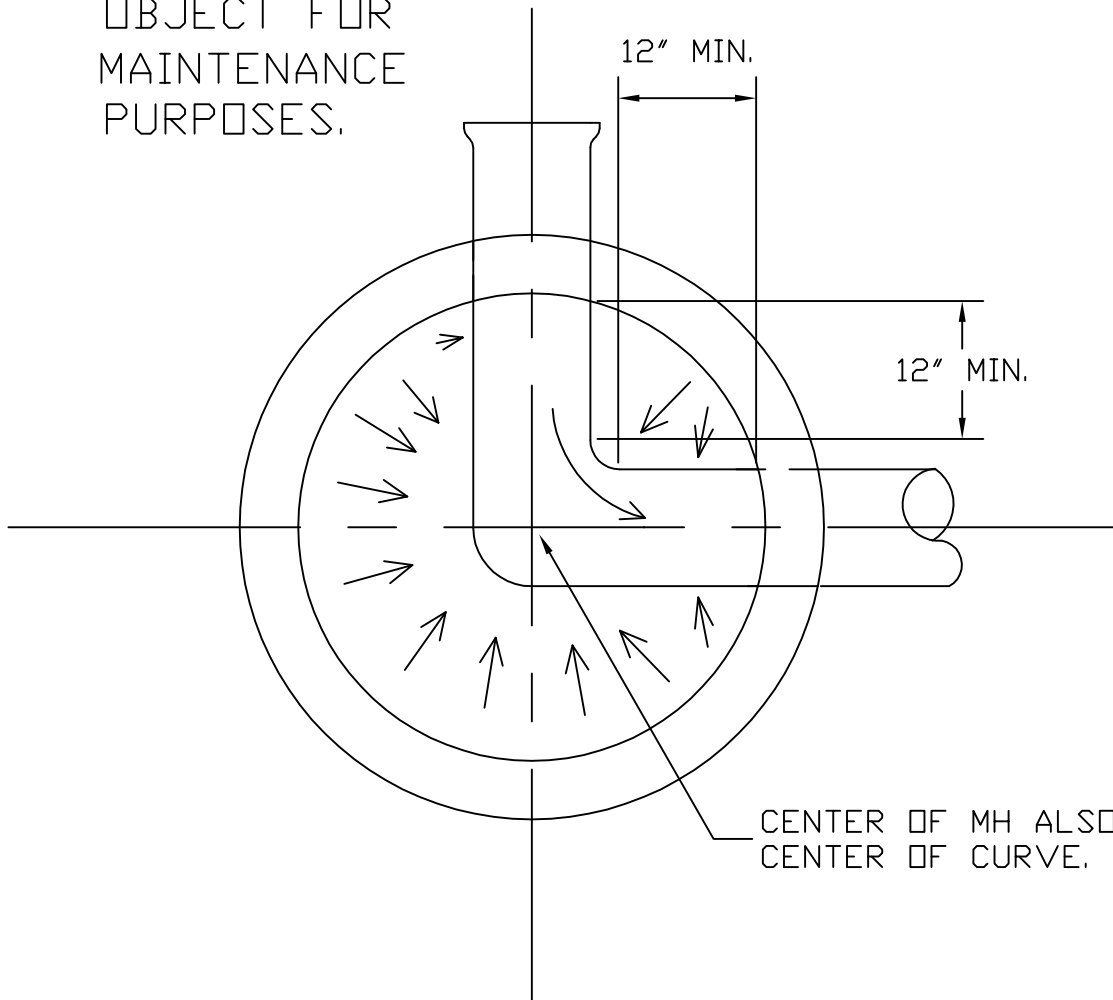


NOTE: CHANNELS MUST PASS A 7" Dia. & 30" LONG CYLINDRICAL OBJECT FOR MAINTENANCE PURPOSES.

NOTE: CHANNEL TO FOLLOW PIPE ALIGNMENT 12" MIN. INSIDE MANHOLE BEFORE TURNING.



GENERAL PLAN ON
CHANNEL INTERSECTION
FOR 90 DEGREE MANHOLE



TITLE: 90 DEGREE MH CHANNEL		SHEET: 20 OF 20	
FILE NAME: SAN-020	DRAWN BY: WDK	REV. DATE: 3/29/99	
SCALE: NOT TO SCALE	DATE: 3/29/99	CHECKED BY: KS	